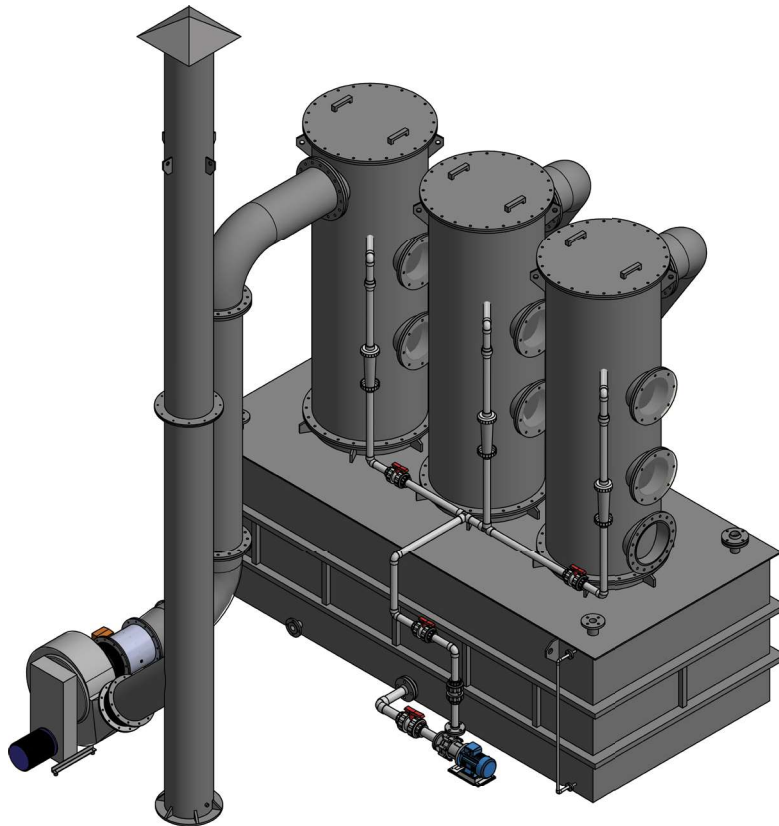


CHLORINE SCRUBBER PRODUCT INFORMATION

Multi Stage 1F1P



General Specifications (if different specifications is required, please contact us for customisation)		
Description	Value	
Scrubber Type	Counterflow packed column	
Volume of raw gas	max. 1000 kg/h	
Neutralisation agent	15% - 20% caustic soda (NaOH)	
Tank volume	c. 10 m ³ max	
Material	FRP	
Packed Column Material	Tellerette Polypropylene (PP)	
Circulation pump		
Version	Magnetic Centrifugal Pump	
Capacity	51 m ³ /h @ 27mH max	
Power	415 V / 3 Ph / 50 Hz / 3.7 kW	
Motor speed	2900 rpm	
Fan		
Version	Centrifugal Fan	
Option 1	Capacity	5000 m ³ /h @ 1.3 kPa
	Fan speed	3000 rpm
	Power	415 V / 3 Ph / 50 Hz / 4 kW
Option 2	Capacity	6000 m ³ /h @ 1.2 kPa
	Fan speed	3000 Rpm
	Power	415 V / 3 Ph / 50 Hz / 4 kW