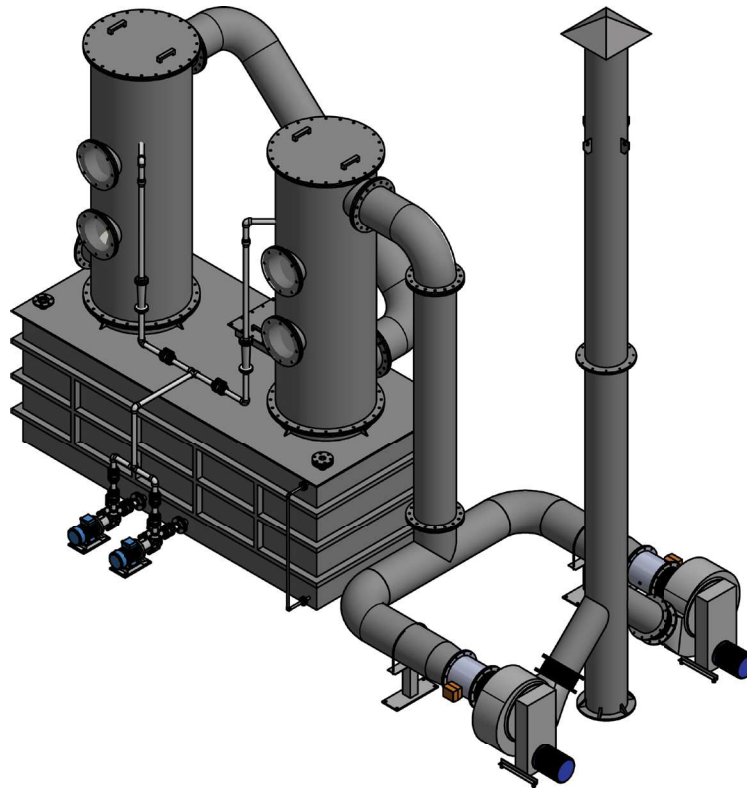


## CHLORINE SCRUBBER PRODUCT INFORMATION

### Double Stage 2F2P



General Specifications (if different specifications is required, please contact us for customisation)		
Description	Value	
Scrubber Type	Counterflow packed column	
Volume of raw gas	max. 1000 kg/h	
Neutralisation agent	15% - 20% caustic soda (NaOH)	
Tank volume	Approx. 10 m3 max	
Material	FRP	
Packed Column Material	Tellerette Polypropylene (PP)	
<b>Circulation pump</b>		
Version	Magnetic Centrifugal Pump	
Capacity	26 m3/h @ 29mH max	
Power	415 V / 3 Ph / 50 Hz / 3.7 kW	
Motor speed	2900 rpm	
<b>Fan</b>		
Version	<b>Centrifugal Fan</b>	
Option 1	Capacity	5000 m3/h @ 1.3 kPa
	Fan speed	3000 rpm
	Power	415 V / 3 Ph / 50 Hz / 4 kW
Option 2	Capacity	6000 m3/h @ 1.2 kPa
	Fan speed	3000 Rpm
	Power	415 V / 3 Ph / 50 Hz / 4 kW

Lutz-Jesco GmbH

Am Bostelberge 19  
30900 Wedemark, Germany

Phone: +49 5130 5802-0  
Fax : +49 5130 5802 68

Email: info@lutz-jesco.com  
Internet: www.lutz-jesco.com

Lutz-Jesco East Asia  
Sdn Bhd

6 Jalan Saudagar U1/16A  
Hicom Glenmarie Ind. Park  
40150 Shah Alam, Malaysia

Phone: +603 5569 2322  
Fax : +603 5569 1322

Email: info@lutz-jescoasia.com  
Internet: www.lutz-jescoasia.com

**Dosing  
Conveying  
Control** | Liquids  
Gases  
Systems